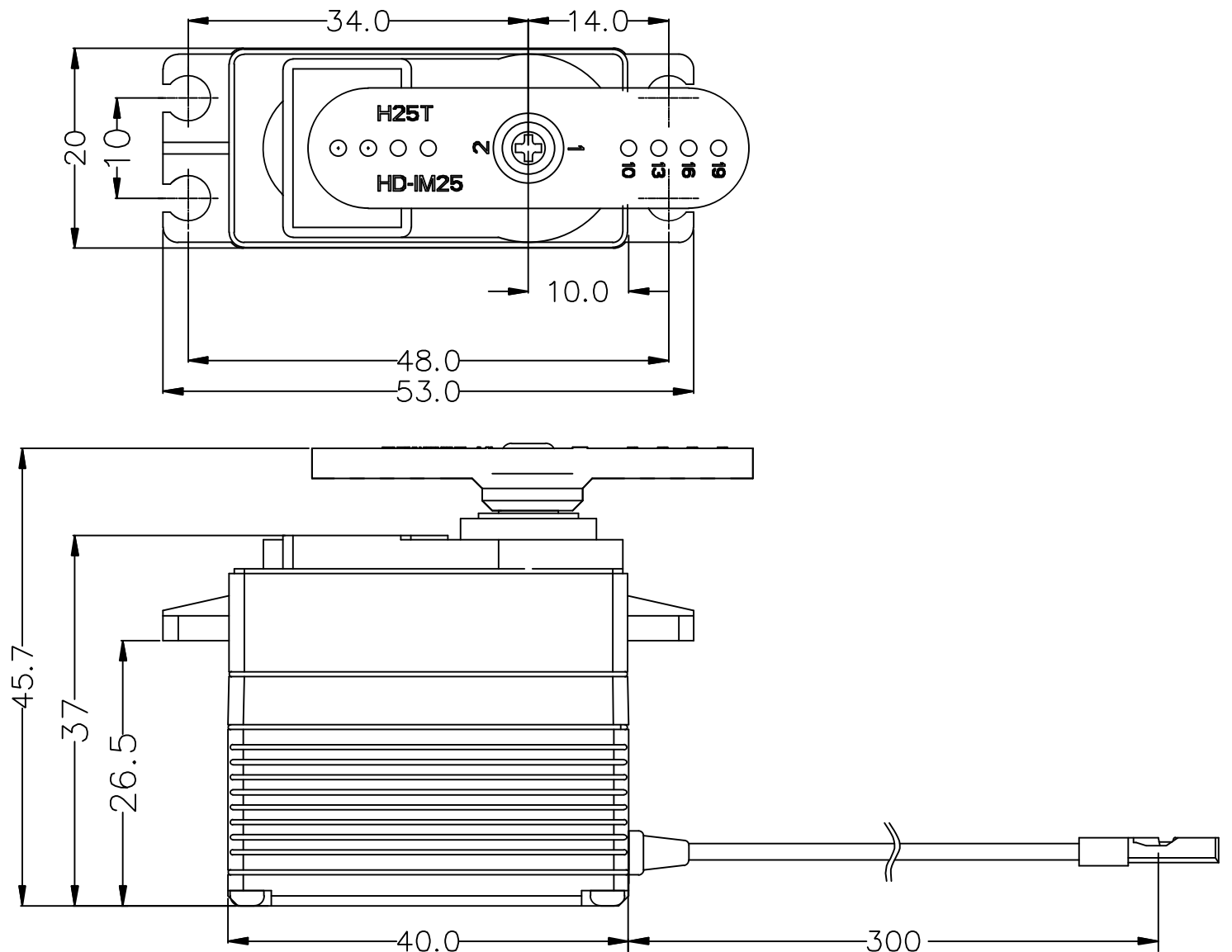


ANNOUNCED SPECIFICATION OF D954SW MULTI PURPOSE DIGITAL SERVO

1. TECHNICAL VALUE

CONTROL SYSTEM	:+PULSE WIDTH CONTROL 900~2100us, 1500us NEUTRAL		
OPERATING VOLTAGE RANGE	:4.7V TO 7.4V		
OPERATING TEMPERATURE RANGE	:-20° C TO +60° C (-4° F TO +140° F)		
TEST VOLTAGE	:AT 4.8V	AT 6.0V	AT 7.4V
OPERATING SPEED	:0.19sec/60° AT NO LOAD	0.15sec/60° AT NO LOAD	0.12sec/60° AT NO LOAD
STALL TORQUE	:18.0kg.cm(251.34oz.in)	24.0kg.cm(335.13oz.in)	29.0kg.cm(404.95oz.in)
STANDING TORQUE	:-		
IDLE CURRENT	:30mA AT STOPPED	30mA AT STOPPED	30mA AT STOPPED
RUNNING CURRENT	300mA	400mA	500mA
STALL CURRENT	:3,200mA	4,200mA	5,200mA
DEAD BAND WIDTH	:1us	1us	1us
OPERATING TRAVEL	:40±5° /ONE SIDE PULSE TRAVELING 400usec		
DIRECTION	:CLOCK WISE/PULSE TRAVELING 1500 TO 1900usec		
MOTOR TYPE	:CORELESS METAL BRUSH		
POTENTIOMETER TYPE	:1M CYCLE LONG LIFE/INDIRECT DRIVE		
AMPLIFIER TYPE	:DIGITAL AMPLIFIER WITH MOSFET DRIVE		
DIMENSIONS	:40x20x37mm(1.57x0.78x1.45in)		
WEIGHT	:66.0g(2.32oz)		
BALL BEARING	:DUAL/MR106		
GEAR MATERIAL	:1 METAL-PLASTIC & 3 STEEL GEARS		
HORN GEAR SPLINE	:25 SEGMENTS/Ø6.00		
SPLINED HORNS	:HD-IM25(F TYPE)		
CONNECTOR WIRE LENGTH	:300mm(11.81in)		
CONNECTOR WIRE STRAND COUNTER	:80EA		
CONNECTOR WIRE GAUGE	:20AWG		



2. FEATURES

- PROGRAMMABLE HIGH RESPONDENCE DIGITAL AMPLIFIER WITH MOSFET DRIVE
- DURABLE STEEL GEARS WITH DUAL BALL BEARING
- ULTRA HARDNESS SHAFT WITH 3 AXIAL METAL BUSHING
- WATER & DUST RESISTANCE
- HEAT SINK FOR MOTOR

3. APPLICATIONS

- FOR 1/10 EP off road and on load