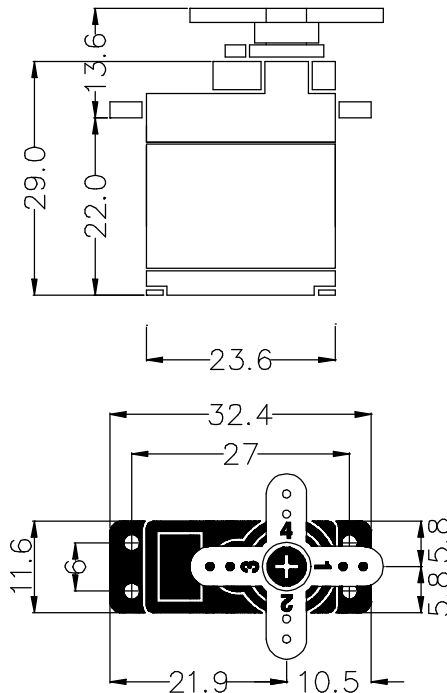


# GENERAL SPECIFICATION OF HS-5070MH HIGH TORQUE DIGITAL FEATHER SERVO

## 1. TECHNICAL VALUE

CONTROL SYSTEM	: +PULSE WIDTH CONTROL 1500usec NEUTRAL	
OPERATING VOLTAGE RANGE	: 6.0V TO 7.4V	
OPERATING TEMPERATURE RANGE	: -20°C TO +60°C (-4°F TO +140°F)	
TEST VOLTAGE	: AT 6.0V	REFERENCE USE ONLY AT 7.4V 0.12sec/60° AT NO LOAD 3.8kg.cm(53.06oz.in) 3mA AT STOPPED 240mA/60° AT NO LOAD 1300mA 2usec
OPERATING SPEED	: 0.15sec/60° AT NO LOAD	
STALL TORQUE	: 3.1kg.cm(43.28oz.in)	
IDLE CURRENT	: 3mA AT STOPPED	
RUNNING CURRENT	: 200mA/60° AT NO LOAD	
STALL CURRENT	: 1000mA	
DEAD BAND WIDTH	: 2usec	
OPERATING TRAVEL	: 40°/ONE SIDE PULSE TRAVELING 400usec	
DIRECTION	: CLOCK WISE/PULSE TRAVELING 1500 TO 1900usec	
MOTOR TYPE	: CORED METAL BRUSH/Nd MAGNET	
POTENTIOMETER TYPE	: 2 SLIDER/DIRECT DRIVE	
DIMENSIONS	: 23.6x11.6x29mm(0.92x0.45x1.14in)	
WEIGHT	: 12.7g(0.44oz)	
BALL BEARING	: SINGLE/MR85	
GEAR MATERIAL	: 1 RESIN & 4 METAL GEARS	
HORN GEAR SPLINE	: 25 SEGMENTS/∅5	
SPLINED HORNS	: MICRO23: M23-I, M23-X	
CONNECTOR WIRE LENGTH	: 160mm(6.29in)	
CONNECTOR WIRE STRAND COUNTER	: 20 EA	
CONNECTOR WIRE GAUGE	: 28AWG	



## 2. FEATURES

- 4 METAL GEARS WITH 1 BALL BEARING
- HIGH EFFICIENCY Nd MAGNET MOTOR

## 3. APPLICATIONS

- FAST PARK FLYING MODELS. ELECTRIC MICRO PLANE, MAV
- 1/18 SCALE CARS