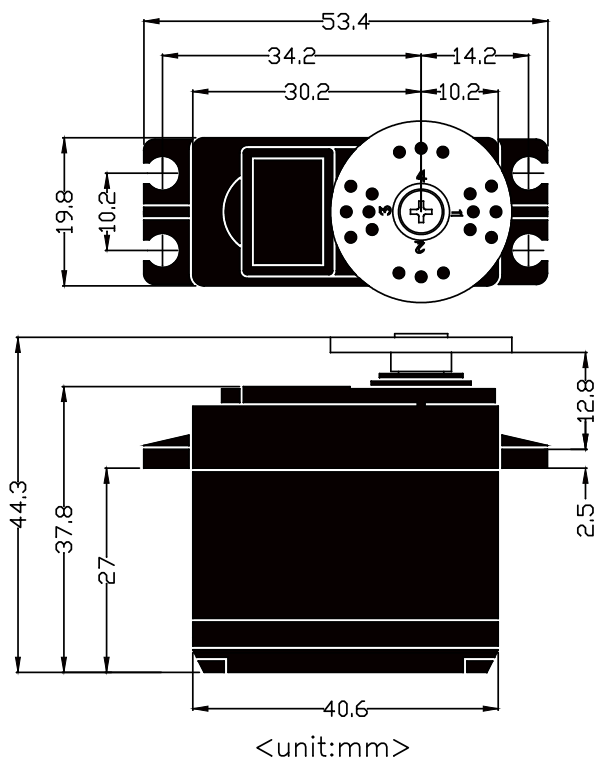


ANNOUNCED SPECIFICATION OF HS-5645MG STANDARD SPORT DIGITAL HIGH TORQUE SERVO

1. TECHNICAL VALUES

CONTROL SYSTEM	: +PULSE WIDTH CONTROL 1500usec NEUTRAL	
OPERATING VOLTAGE RANGE	: 4.8V TO 6.0V	
OPERATING TEMPERATURE RANGE	: -20 TO +60°C	
TEST VOLTAGE	: AT 4.8V	: AT 6.0V
OPERATING SPEED	: 0.23sec/60° AT NO LOAD	: 0.18sec/60° AT NO LOAD
STALL TORQUE	: 10.3kg.cm(143.03oz.in)	: 12.1kg.cm(168.03oz.in)
OPERATING ANGLE	: 45° / ONE SIDE PULSE TRAVELING 400usec	
DIRECTION	: CLOCK WISE / PULSE TRAVELING 1500 TO 1900usec	
IDLE CURRENT	: 3mA	: 3mA
RUNNING CURRENT	: 350mA	: 450mA
STALL CURRENT	: 1500mA	: 1800mA
DEAD BAND WIDTH	: 1usec	
CONNECTOR WIRE LENGTH	: 300mm(11.81in)	
DIMENSIONS	: 40.6x19.8x37.8mm(1.59x0.77x1.48in)	
WEIGHT	: 60g(2.11oz)	



2. FEATURES

- DIGITAL & MOS FET AMP
- PROGRAMABLE
- 3-POLE FERRITE MOTOR
- DUAL BALL BEARING
- 3-METAL GEARS
- LONG LIFE POTENTIOMETER

3. APPLICATIONS

- AIRCRAFT TO 1/4 SCALE
- 30 SIZE HELICOPTERS
- STEERING AND THROTTLE FOR 1/10TH
- 1/8TH ON-ROAD
- OFF-ROAD VEHICLES

HITEC RCD KOREA INC.