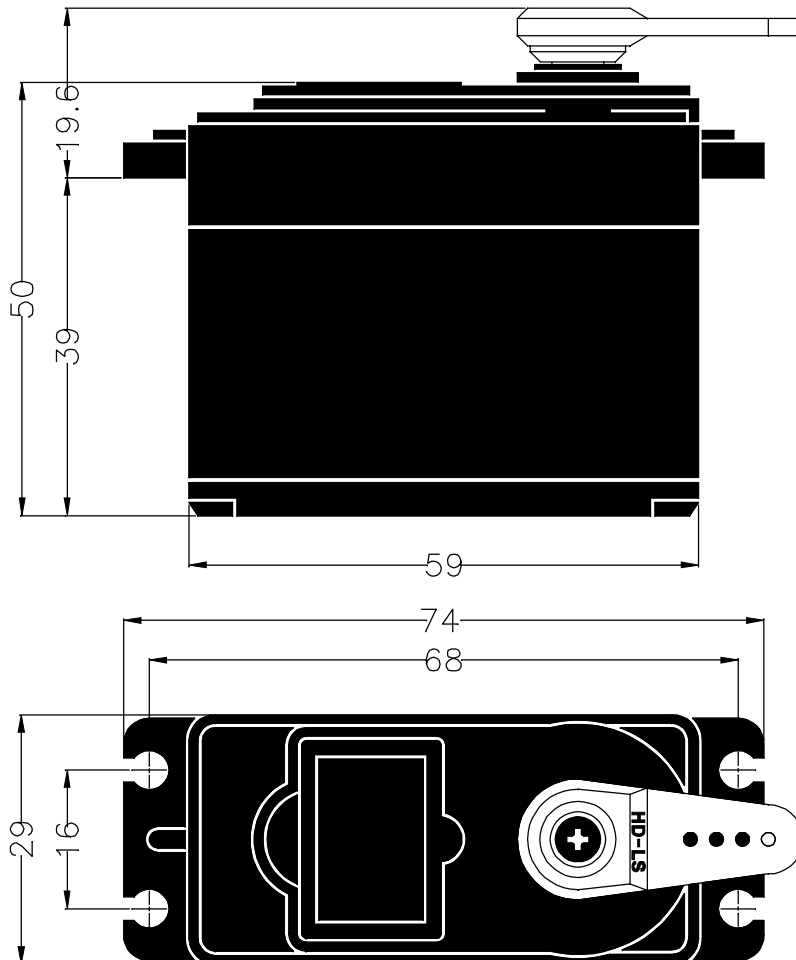


GENERAL SPECIFICATION OF HS-755MG METAL GEAR QUARTER SCALE SERVO

1. TECHNICAL VALUE

CONTROL SYSTEM	: +PULSE WIDTH CONTROL 1500usec NEUTRAL	
OPERATING VOLTAGE RANGE	: 4.8V TO 6.0V	
OPERATING TEMPERATURE RANGE	: -20°C TO +60°C (-4°F TO +140°F)	REFERENCE USE ONLY AT 6.0V 0.23sec/60° NO LOAD 14.4kg.cm(199.97oz.in) 11.5kg.cm(159.70oz.in)/5° HOLDOUT 8mA AT STOPPED 250mA/60° AT NO LOAD RUNNING 1800mA 5usec
TEST VOLTAGE	: AT 4.8V	
OPERATING SPEED	: 0.28sec/60° AT NO LOAD	
STALL TORQUE	: 12.0kg.cm(166.64oz.in)	
STANDING TORQUE	: 9.6kg.cm(133.31oz.in)/5° HOLDOUT	
IDLE CURRENT	: 8mA AT STOPPED	
RUNNING CURRENT	: 230mA/60° AT NO LOAD RUNNING	
STALL CURRENT	: 1500mA	
DEAD BAND WIDTH	: 5usec	
OPERATING TRAVEL	: 40°/ONE SIDE PULSE TRAVELING 400usec	
DIRECTION	: CLOCK WISE/PULSE TRAVELING 1500 TO 1900usec	
MOTOR TYPE	: CORED/METAL BRUSH	
POTENTIOMETER TYPE	: 6 SLIDER/INDIRECT DRIVE	
AMPLIFIER TYPE	: ANALOG AMPLIFIER	
DIMENSIONS	: 59x29x50mm(2.32x1.14x1.96in)	
WEIGHT	: 117g(4.12oz)	
BALL BEARING	: DUAL/MR106	
GEAR MATERIAL	: 1 KARBONITE, 3 METAL	
HORN GEAR SPLINE	: 24 SEGMENTS/∅5.76	
SPLINED HORNS	: HEAVY DUTY/HD-IS, HD-O, HD-LS, HD-IL, HD-LL	
CONNECTOR WIRE LENGTH	: 300mm(11.81in)	
CONNECTOR WIRE STRAND COUNTER	: 60EA	
CONNECTOR WIRE GAUGE	: 22AWG	



2. FEATURES

METAL GEARS WITH DUAL BALL BEARING
WATER & DUST TIGHT

3. APPLICATIONS

FOR LARGE MODELS