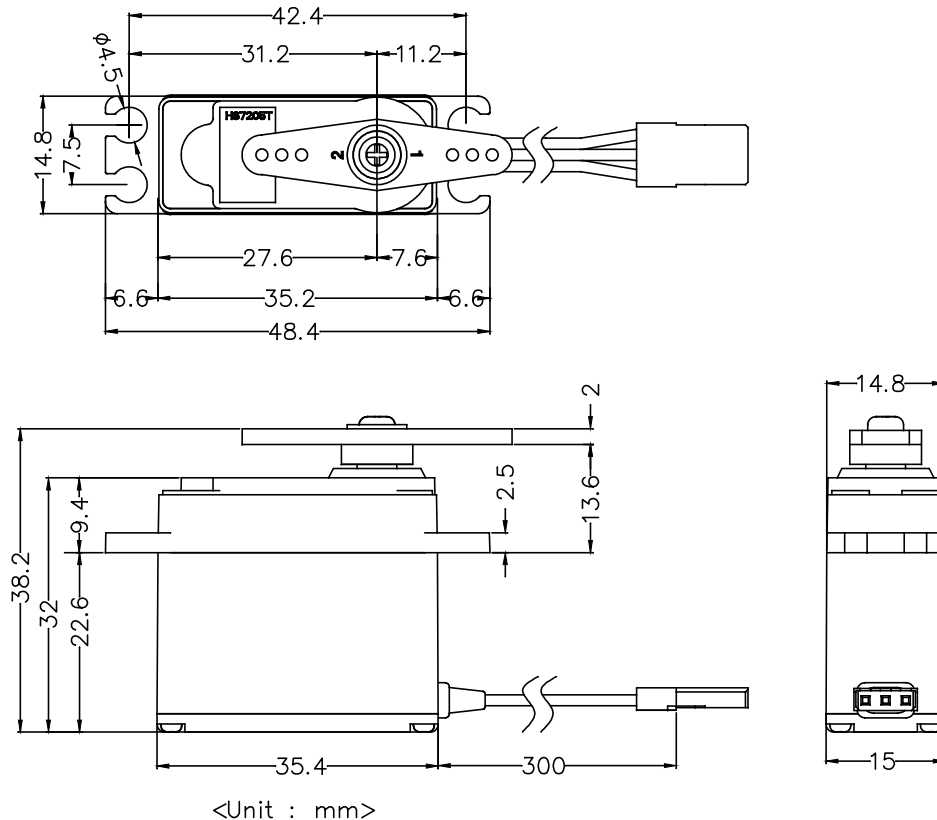


GENERAL SPECIFICATION OF MD250MW WING SERVO

1. TECHNICAL VALUE

CONTROL SYSTEM	: +PULSE WIDTH CONTROL 1500usec NEUTRAL		
OPERATING VOLTAGE RANGE	: 6.0V TO 7.4V		
OPERATING TEMPERATURE RANGE	: -20°C TO +60°C (-4°F TO +140°F)		
TEST VOLTAGE	: AT 4.8V	: AT 6.0V	: AT 7.4V
OPERATING SPEED	: 0.20sec/60°	: 0.16sec/60°	: 0.13sec/60°
STALL TORQUE	: 4.9kg.cm(68.42oz.in)	: 6.1kg.cm(85.59oz.in)	: 7.5kg.cm(104.72oz.in)
STANDING TORQUE	: -	: -	: -
IDLE CURRENT	: 40mA AT STOPPED	: 40mA AT STOPPED	: 40mA AT STOPPED
RUNNING CURRENT	: 110mA/NO LOAD	: 150mA/NO LOAD	: 190mA/NO LOAD
STALL CURRENT	: 1,000mA	: 1,300mA	: 1,600mA
DEAD BAND WIDTH	: 2usec	: 2usec	: 2usec
OPERATING TRAVEL	: 40±5°/ONE SIDE PULSE TRAVELING 400usec		
DIRECTION	: CLOCK WISE/PULSE TRAVELING 1500 TO 1900usec		
MOTOR TYPE	: 3 POLES METAL BRUSH		
POTENTIOMETER TYPE	: MAGNETIC ROTARY ENCODER		
AMPLIFIER TYPE	: NUVOTON(32bit) MCU DIGITAL AMPLIFIER WITH MOSFET DRIVE		
DIMENSIONS	: 35.0x15.0x33.0mm(1.377x0.59x1.299in)		
WEIGHT	: 31.0g(1.09oz)		
BALL BEARING	: DUAL/MR106,MR85		
GEAR MATERIAL	: 1 METAL-PLASTIC & 4 STEEL GEARS		
HORN GEAR SPLINE	: 25 SEGMENTS/∅6.0		
SPLINED HORNS	: M-125		
CONNECTOR WIRE LENGTH	: FLAT TYPE/300mm(11.81in)		
CONNECTOR WIRE STRAND COUNTER	: 40EA		
CONNECTOR WIRE GAUGE	: 24AWG		



2. FEATURES

PROGRAMMABLE DIGITAL AMPLIFIER WITH MOSFET DRIVE
 DURABLE STEEL GEARS WITH DUAL BALL BEARING

3. APPLICATIONS

FOR LARGE GLIDER WING